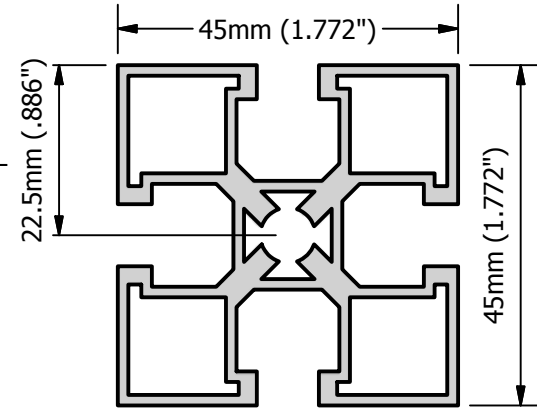


PROFILE 45X45 UL  
OR SPECIFY



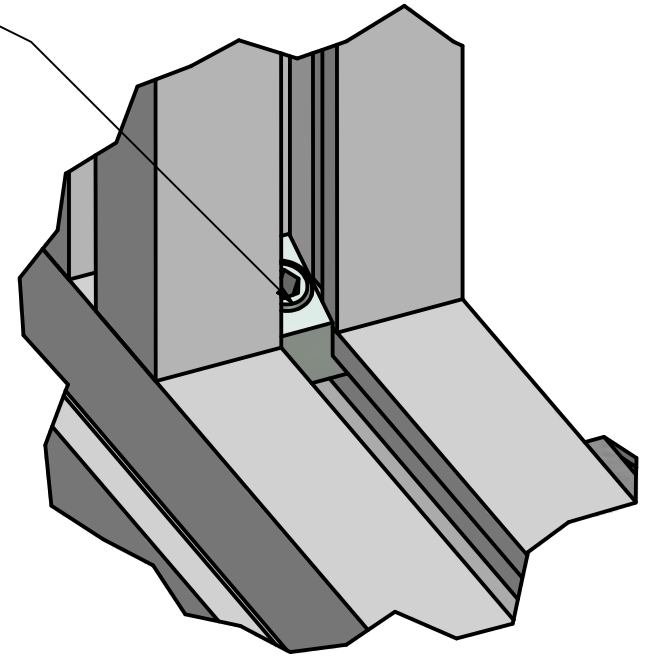
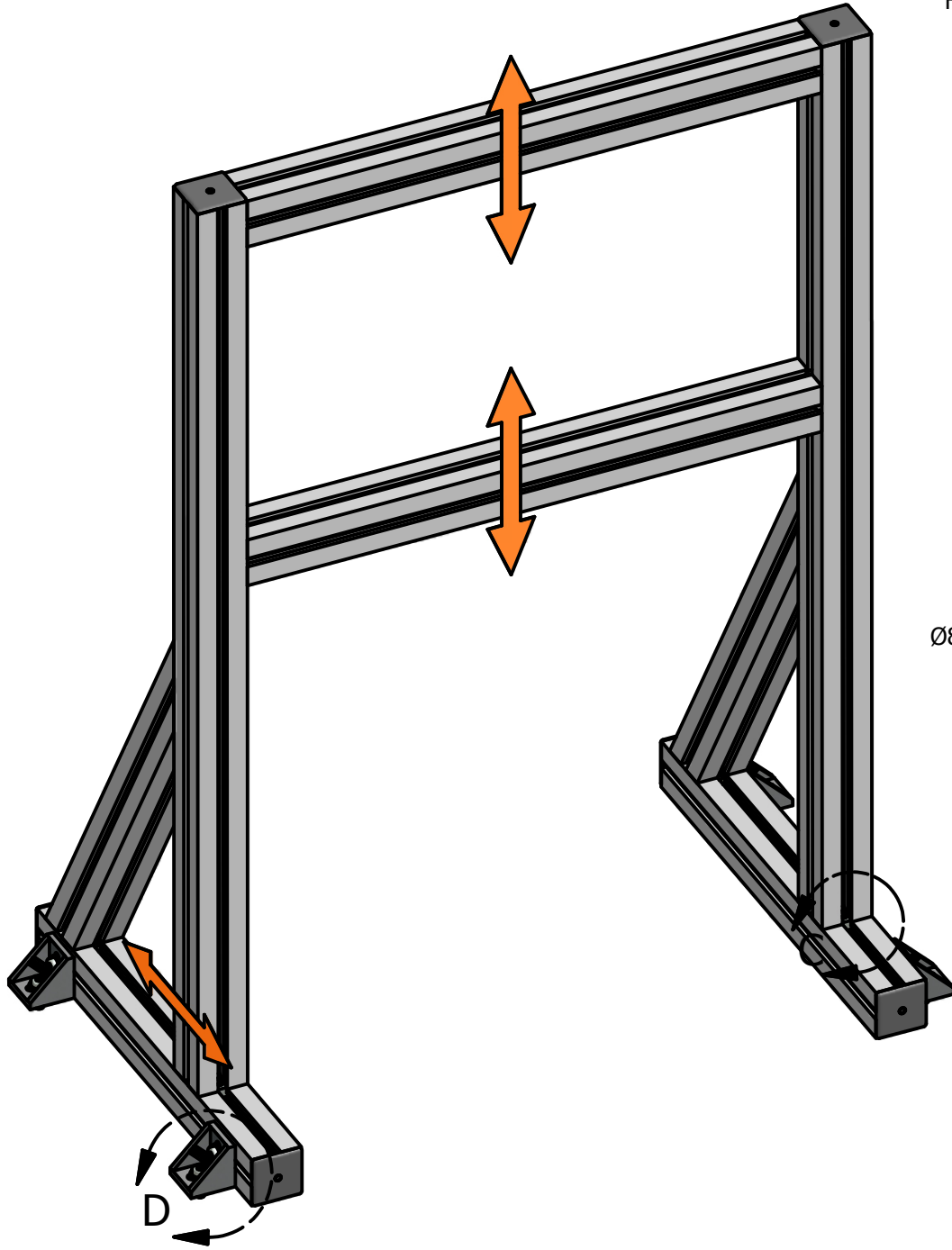
FILL IN DIMENSIONS & E-MAIL  
FOR A QUOTE TODAY:

WIDTH =  
HEIGHT =  
DEPTH =

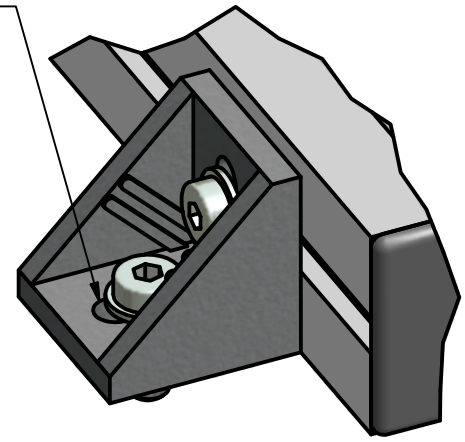
[CLICK HERE TO SEND TO MINITEC](#)


PROJECT SP062116		 <small>WWW.MINITECFRAMING.COM VICTOR, NY PH # 585 924-4690 DIRECT 585 398-1240 EXT 104 FX # 585 924-4821 amoles@minitecframing.com</small>	<small>THE ART OF SIMPLICITY</small>	
DRAWN BY ANDY MOLES			<small>REV</small>	
DATE 6/21/2016			<small>DWG NO</small> <b>SP062116</b>	
DRAWN FOR MINITEC'S CUSTOMER		<small>TITLE</small> <b>CONTROL BOX STAND</b>		<small>REV</small>
<small>TOLERANCES UNLESS OTHERWISE NOTED .X +/- .125" .XX +/- .015" .XXX +/- .010"</small>		<small>MATERIAL</small>		<small>SHEET 1 OF 2</small>
		<small>FINISH</small>		

PROFILES ARE CONNECTED  
WITH ADJUSTABLE POWER-LOCK  
FASTENER



Ø8mm (5/16") SLOT FOR MOUNTING  
TO TABLE OR FLOOR



PROJECT SP062116		 <small>WWW.MINITECFRAMING.COM VICTOR, NY PH # 585 924-4690 DIRECT 585 398-1240 EXT 104 FX # 585 924-4821 amoles@minitecframing.com</small>	
DRAWN BY ANDY MOLES			
DATE 6/21/2016			
DRAWN FOR MINITEC'S CUSTOMER	TITLE CONTROL BOX STAND	DWG NO <b>SP062116</b>	REV
<small>TOLERANCES UNLESS OTHERWISE NOTED X +/- .125" .XX +/- .015" .XXX +/- .010"</small>		MATERIAL	
		FINISH	
			SHEET 2 OF 2